

# ELK. | Knobs with rear lobes

Technopolymer

INCH



PA

+270 °F  
-20 °F



1



2



3



4



5



6



7



8



9



10



11



12



13



14



15



RH

## MATERIAL

Glass-fibre reinforced polyamide based (PA) technopolymer, grey-black colour, matte finish.

## CAP

Technopolymer in Ergostyle colours, matte finish. Ultrasonically welded to the body of the knob.

## STANDARD EXECUTIONS

Brass boss with tapped or plain blind hole.

## ERGONOMY AND DESIGN

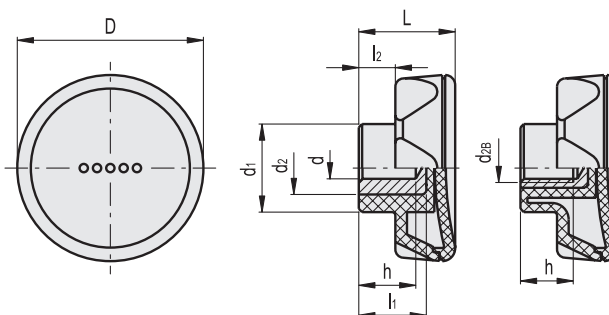
The slightly concave front surface and the rear finger grips guarantee an ergonomic position of the hand, allowing the operator to apply the maximum torque with the minimum force.

## OTHER EXECUTIONS ON REQUEST

Metric plain or tapped hole.



ERGOSTYLE® ELESA Original design



\* Complete with colour index, example: 90221206-C2 ELK.45 B-1/4-C2

**C1**  **C2**  **C3**  **C4**  **C5**  **C6**  **C17**  
 RAL7021 RAL2004 RAL7035 RAL1021 RAL5024 RAL3000 RAL6017

INCH

Clamping knobs

Code	Description	D	d	d2B	L	d1	d2	l1	l2	h	△
90221206-*	ELK.45 B-1/4-*	1.77	0.250	-	1.02	0.83	0.55	0.75	0.39	0.55	0.09
90221221-*	ELK.45 B-1/4-20-*	1.77	-	1/4-20	1.02	0.83	-	-	0.39	0.47	0.07
90221406-*	ELK.56 B-5/16-*	2.2	0.312	-	1.14	1.04	0.55	0.71	0.43	0.55	0.13
90221426-*	ELK.56 B-5/16-18-*	2.2	-	5/16-18	1.14	1.04	-	-	0.43	0.51	0.1
90221606-*	ELK.70 B-3/8-*	2.76	0.375	-	1.38	1.28	0.87	0.98	0.51	0.83	0.27
90221631-*	ELK.70 B-3/8-16-*	2.76	-	3/8-16	1.38	1.28	-	-	0.51	0.71	0.17

2



10/2018

Models all rights reserved in accordance with the law. Always mention the source when reproducing our drawings and photos.